

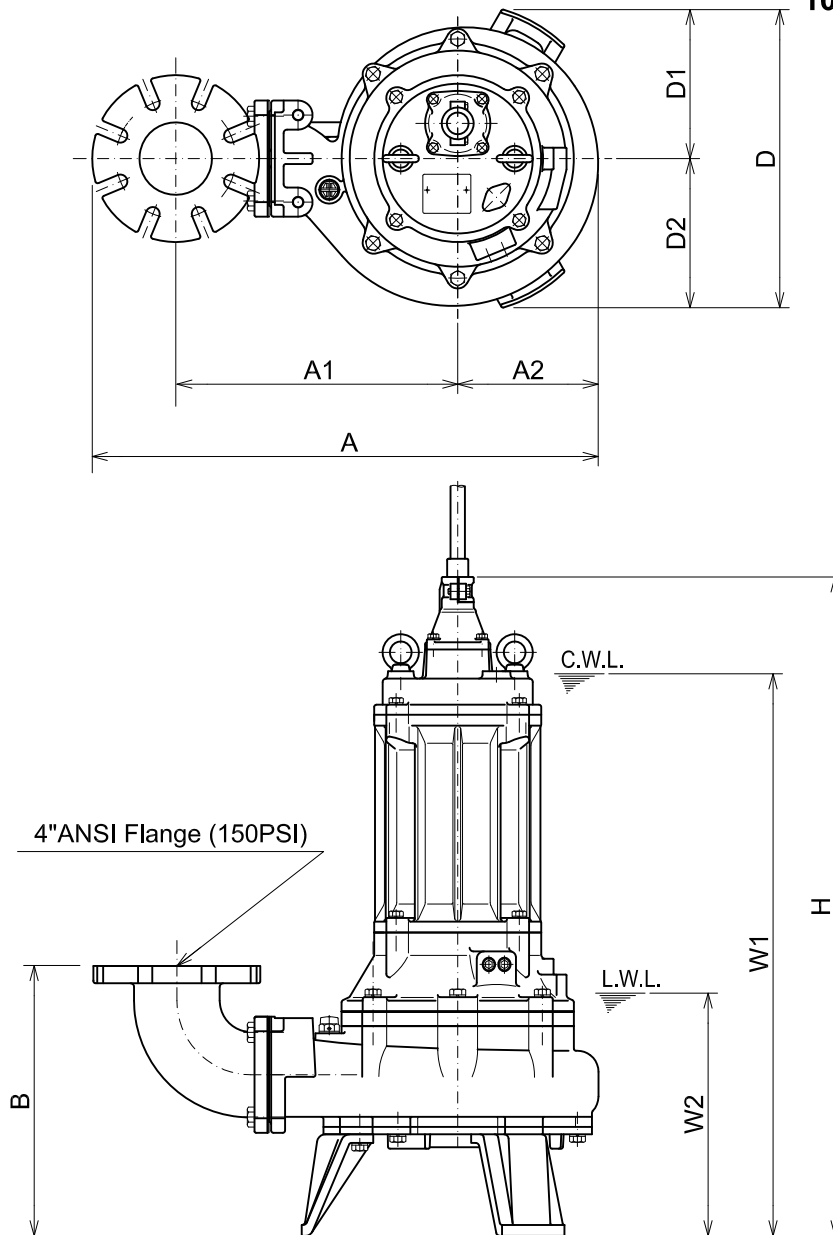


**B-SERIES**  
**SEWAGE & WASTEWATER PUMPS**

**DIMENSIONS**

**100B45.5 -64**  
**100B47.5 -64**

Bend model:  
BEND100-100 ANSI



C.W.L. :Continuous running Water Level  
L.W.L. :Lowest running Water Level

**DIMENSIONS:USCS(Inch)**

Model	HP	NOM. SIZE	Pump & Motor								C.W.L. W1	L.W.L. W2	*Wt. (lbs.)
			A	A1	A2	B	D	D1	D2	H			
100B45.5 -64	7.5	4"	27 13/16	15 5/8	7 5/8	14 5/8	16 1/8	8 1/16	8 1/16	35 3/4	30 1/2	13 1/4	313
100B47.5 -64	10	4"	27 13/16	15 5/8	7 5/8	14 5/8	16 1/8	8 1/16	8 1/16	36 9/16	31 1/2	13 1/4	362

\*Excluding Cable.

**DIMENSIONS:METRIC(mm)**

Model	kW	NOM. SIZE	Pump & Motor								C.W.L. W1	L.W.L. W2	*Wt. (kg)
			A	A1	A2	B	D	D1	D2	H			
100B45.5 -64	5.5	100	706	397	194	372	410	205	205	908	775	335	142
100B47.5 -64	7.5	100	706	397	194	372	410	205	205	929	800	335	164